



UHV-12X-U3S USB3.0 HD PTZ Video Conference Camera

1080P60

12XZoom

72.5° Angle

UVC Control

USB3.0



Advantages

- ※ **Ultra crystal video quality:** with Ambarella A9 DSP 1/2.3 5MP Sensor and high quality 12x lens
- ※ **Fast switching between different video formats:** only 3 seconds needed
- ※ **Fast and accurate focus performance**
- ※ **Easy firmware upgrade:** no need to open the camera housing
- ※ **USB2.0 compatible**
- ※ **Compatible with the majority of video conferencing software (UVC 1.5 protocol standard)**
- ※ **With powerful functional remote controller**
- ※ **Multi language OSD menu:** support English, Chines, Russia, Spanish
- ※ **2 years warranty time**

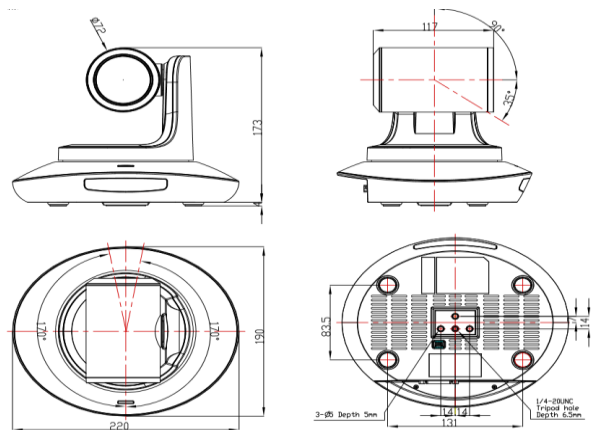
Features

- ※ **USB 3.0 super speed transit**
- ※ **Zoom:** 12X optical Zoom + 12X digital zoom
- ※ **1920X1080p 60fps high resolution**
- ※ **72.5° field of view**
- ※ **Ultra smooth PTZ mechanism**
- ※ **Accurate PT motor control**
- ※ **Up to 128 presets**
- ※ **Effective RS232/RS485 seria control**
- ※ **Exposure Compensation, 3D-noise reduction function**
- ※ **Image flip function support upside-down installation**
- ※ **Mounts:** Wall mount & in-ceiling mount available
- ※ **Sony Visca and Pelco D/P protocol controls**

Input/Output Interface



Dimensional Drawing(mm)



Technical Specification

Model No.	UHV-12X-U3S
Sensor	1/2.8 inch high quality, 5MP HD CMOS Sensor
Video System	1080p60/50/30/25 720p/60/50/30/25 1024x768p30;800x600p30 1024x576p30;960x540p30 704x576p30;640x480p30 576x448p30;768x448p30 640x360p30;512x288p30 352x288p30;176x144p30
Zoom	12x optical zoom
View Angle	6.3°(wide) - 72.5°(tele)
Pan Rotation Angle	- 170° - +170°
Tilt Roation Angle	- 30° - + 90°
Pan Rotation Speed	0° - 120° /s
Tilt Rotation Speed	0° - 80° /s
Preset	128
Control Port	RS232/RS485/USB3.0
Video Port	USB 3.0
SNR	More than 50dB
Focal Length	f=3.92(wide) - 47.32mm(tele)
Minimum Lux	0.01Lux
White Balance	Auto/Manual
Focus	Auto/Manual
Iris	Auto/Manual
Electronic Shutter	Auto/Manual
BLC	Auto/Manual
Input Voltage	DC12V
Dimension(W x H x W)	220mm x 173mm x 117mm
Net Weight	1.25KG(2.8LBS)

※※※ Product specification are subject to change without notice ※※※