



Advantages

- ※ Adopts most advanced DSP, 1/2.5 inch 8.5MP sensor
- ※ Class leading optical lens: 15x lossless HD zoom, 85 degree wide FOV
- ※ Ultra crystal 4K video via USB 3.0 port
- ※ Special Focus Algorithm: fast and precise focusing performance when zooming or moving
- ※ Standard Sony Visca, Visca Over IP, UVC control protocol
- ※ Supplied with function IR remote controller, can set IP address vis OSD menu
- ※ HTML5 supported multi-browser: IE, 360, Chrome, Firefox, Safari, Opera etc.
- ※ Compatible with almost popular VC application

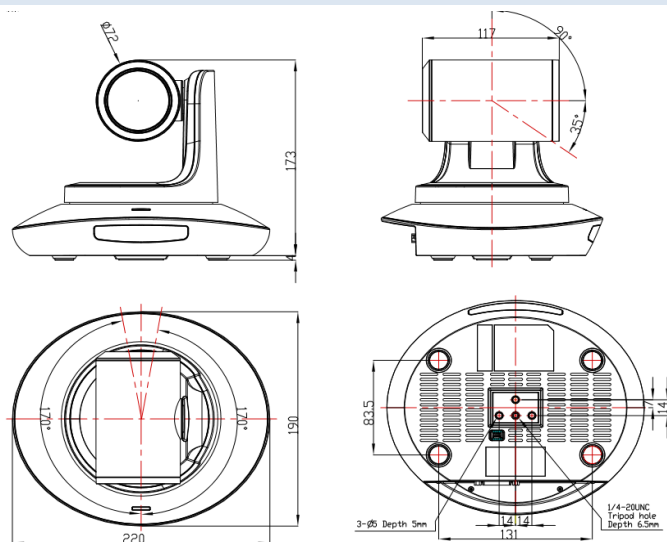
Feature

- ※ IP and USB 3.0 outputs simultaneously
- ※ 3840x2160p30 Ultra HD video resolution
- ※ Automatic access to the IP address
- ※ Smooth PTZ mechanical design, accurate pan tilt motor control
- ※ WDR, 3D Noise Reduction feature
- ※ 128 presets
- ※ Image flip function, support upside-down installation
- ※ RJ45 support RTSP/RTMP video protocol, H.264, H.265 encoding
- ※ RJ45 support standard ONVIF protocol, can control by ONVIF keyboard
- ※ RJ45 support standard Visca over IP control
- ※ Support POE: easy to use one RJ45 cable to get video, control and power supply
- ※ Sony Visca and Pelco P/D protocol

Input/Output Interface



Dimensional Drawing(mm)



Technical Specification

Model No. UHV-300H-5

Sensor	1/2.5" 8.5Megapixel high quality CMOS Sensor		
	USB3.0	USB2.0	IP
Video System	MJPG: 3840x2160p30 1920x1080p30 1280x720p30 1024x576, 960x540 800x600; 640x480 640x360; 512x288 YUY2 1080p60/50/30/25 720p60/50/30/25 1024x576p30, 960x540p30 800x600p30, 640x480p30 640x360p30, 512x288p30	MJPG: 3840x2160p30 1920x1080p30 1280x720p30 1024x576, 960x540 800x600; 640x480 640x360; 512x288 YUY2 960x540p30 800x600p30 640x480p30 640x260p30 512x288p30	Main Stream: 1920x1080p30 1280x720p30 Sub Stream: 1280x720p30 1024x576p30 640x360p30
Zoom	5X(4K), 15Xlossless HD zoom(1080p and lower)		
FOV	26.5°(near) - 85°(far)		
F.no.	Wide: 2 Tele: 2.8		
Focal Length	f=2.8(tele) - 14mm(far)		
Preset	10 via remote controller; 128 via serial port; preset precision: 0.1°		
Pan Rotation Angle	- 170° - +170°		
Tilt Roation Angle	- 30° - + 90°		
Pan Rotation Speed	0° - 120° /s		
Tilt Rotation Speed	0° - 80° /s		
Control Port	RS232/RS485/RJ45/UVC		
Video Port	RJ45/USB3.0/USB2.0		
Network Speed	1000M		
Noise Reduction	2D & 3D		
SNR	Above 50dB		
Minimum Lux	0.01Lux		
White Balance	Auto/Manual/Auto Tracking/OnePush/Indoor/Outdoor/Indoor		
Anti Flicker	50Hz/60Hz/OFF		
D/N Mode	Supported		
Gamma	Supported		
Mirror Image	Supported		
PanTilt Flip	Supported		
Iris	Auto/Manual		
Electric Shutter	Auto/Manual		
BLC	Auto/Manual		
Focus	Auto/Manual		
Video Encoding	H.264/H.265		
Bit Rate Control	Variable Bit Rate, Constant Bit Rate		
Video Bit Rate	1024Kbps - 30720Kbps		
IP Protocol	TCP/IP, HTTP,RTSP, RTMP, Onvif, DHCP,VISCA over IP		
POE	Supported		
Input Voltage	DC12V, 2A		
Dimension	220mm x 173mm x 190mm		
Net Weight	1.25KGS(2.8LBS)		

*** Product specification are subject to change without notice ***