

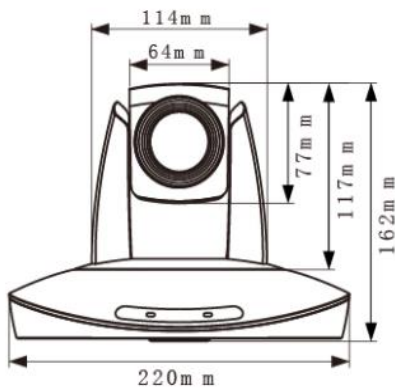
NDI



Features

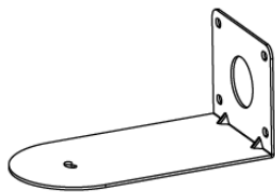
- ※ H.265 video compression, dual stream
- ※ Support NDI | HX output
- ※ Compatible with ONVIF, RTSP, RTMP protocols
- ※ With OSD menu, support image flip
- ※ Come with IR remote controller
- ※ Support standard VISCA & Pelco communication protocols
- ※ RS232 in & RS232 out/ RS485 control interface, support daisy chain
- ※ Special mechanical PTZ driving system, ensure precise positioning

Dimensional Drawing



- ① DVI-I
- ② 3G-SDI
- ③ Control and CVBS
- ④ DC12V

Accessories



Wall Bracket



Ceiling Bracket

Technical Specification

Model No.	HMC-NS3003N
Image Sensor	1/2.8" Exmor CMOS, 2.13MP
Video Standard(HD)	1080p60,1080p/50,1080p/30,1080p25,1080i/60,1080i50,720p/60,720p50,720p/25
Focal	f = 4.7mm - 94mm
Optical Zoom	30X
Field of View	Horizontal 63.7° - 2.3°
Interface	
Video Output	3G-SDI, DVI-I, CVBS
Ethernet	RJ45(NDI HX), 100M
Control Interface	RS-232IN, RS232OUT, RS-422/RS-485
General	
Power Supply	DC12V
Power Consumption	Below 20W
Dimension	220mm x 202mm x 162mm
Weight	1.2KG
Color	Silver
*** Product specification are subject to change without notice ***	