



Lecturer Tracking PTZ Camera LTC5-A2001N



Tracking is based on industry-leading deep-learning technology to precisely detect and track lecturer, supporting IP control and preview, optional POE.

Intelligent Tracking

- * Smooth tracking performance, free from interference of other moving objects, even if the target turns around, stands still for a long time or other small gestures will not affect the tracking effect
- * Track lecturer all around the classroom, even if lecturer walks into student area
- * Auto adjust as per the height of lecturer

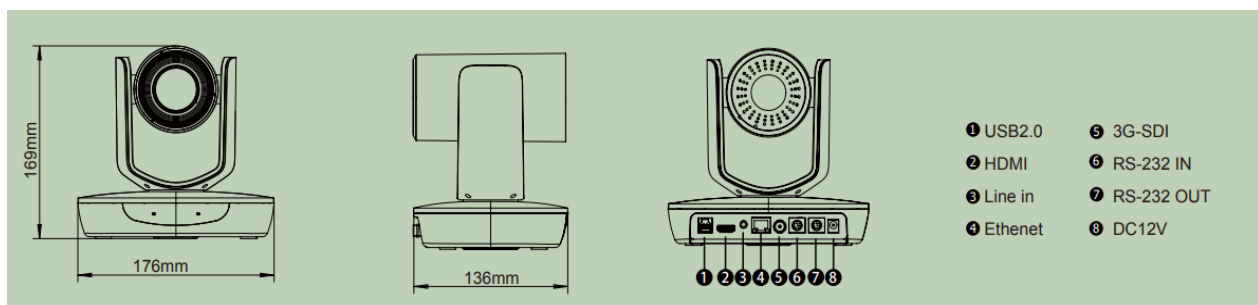
Rich Interface

- * Support HDMI, 3G-SDI, Ethernet, USB up to 1080p60 video output
- * 1 channel audio LINE IN, AAC compression
- * Optional POE

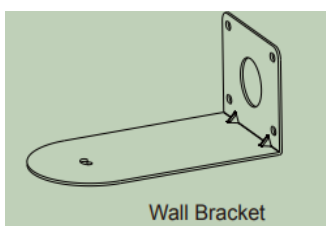
IP & NDI Implementation

- * H.265/H.264 video compression
- * Support dual stream
- * NDI®/HX supported

Dimensions



Accessories



Technical Specification

Model No.	LTC5-A2001N
Tracking Camera	
Image Sensor	1/2.8" Exmor CMOS, 2.14MP
Focal Lens	f = 5.2 - 98mm
Zoom	Optical: 20X, Digital: 12X
Iris	F1.5 - F3.0
Field of View	59.5° - 2.9°
Focus	Auto, Manual, PTZ Trigger, One Push Trigger
Shutter Speed	1/25 - 1/10,000s
Gain	Auto/Manual
White Balance	Auto, Indoor, Outdoor, One push, Manual, Auto Tracking
Exposure Control	Auto, Manual, Shutter Priority, Iris Priority
S/N Radio	Above 50dB
PTZ	
Pan/Tilt Angle Range	Pan: -170° - +170° ; Tilt: -30° - +90°
Pan/Tilt Speed	Pan: 0.2° - +120°/s ; Tilt: 0.2° - +90°/s
Preset Number	64
Video Output	
Video Format	1080P60/50/30/25, 720P60/50
Network	
Max.Image Size	1920x1080 @ 60fps
Image Compression	H.264/H.265
Audio Compression	AAC
Protocol	ONVIF, RTSP, RTMP, HTTP, TCP, UDP
Dual Stream	Support
USB	
USB Interface	USB2.0 Type-A
UVC, UAC	Support
Video Interface	H.264/MJPEG
Image Size	1920 x 1080, 1280 x 720, 640 x 360
Interface	
Video Interface	HDMI 1.4/3G-SDI
Network Interface	RJ45(100M) interface, optional POE
Control Interface	RS232
General	
Protocol	VISCA, PELCO-P, PELCO-D
Address	0 - 63
Power Supply	DC12V
Power Consumption	<15W
Working Temp	0°C - +40°C
Storage Temp	-20°C - +60°C
Operating Humidity	10% RH - 90%RH
Dimension	176mm x 136mm x 169mm
Weight	1KG

*** Product specification are subject to change without notice ***